



Top Load Tester- Digital



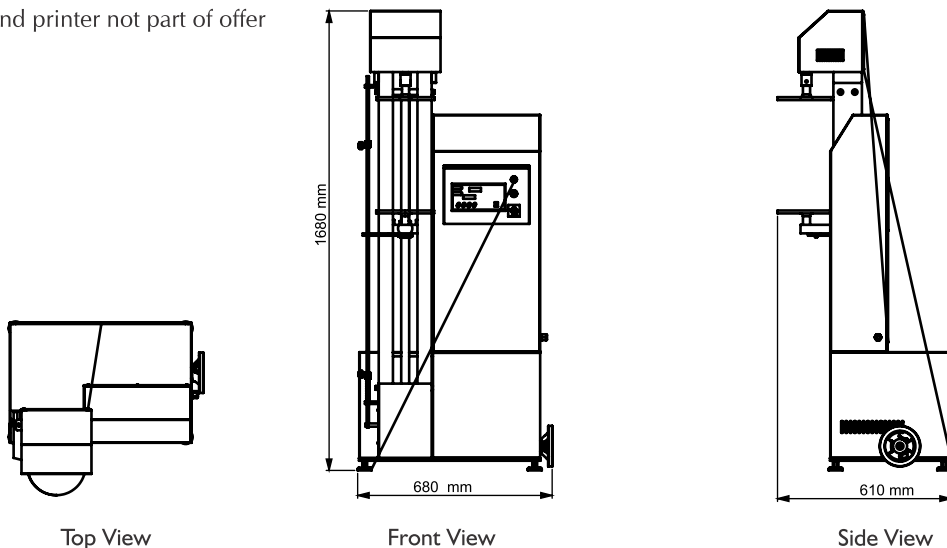
Model No. PTL-0105

Registered Design No. 252613

Top Load Tester – Digital is a new generation semi automatic motorized top load tester. It gives Compressive Buckling Load in digital format as well as Graphical report. The digital display is a high end sophisticated read out with Auto Tare (ZERO) set facility. The test sample is placed in between the inverted concave jaws for zero slip gripping.

- Inverted straight plates for zero slip gripping support
- Digital Display for accuracy and repeatability
- Option for user to switch off machine in case of buckling of test sample.
- In-house calibration facility
- Graph Test report of Force Vs time
- 10 Sample reports can be seen on 1 report
- Test report email facility
- Program profile for programming test parameters and product identification in test report
- PASS/FAIL criteria can be programmed
- Data output in graphical and digital display form.
- Over travel safety feature.

** Computer and printer not part of offer





Presto Stantest Pvt. Ltd.

I-42, DLF Industrial Area Phase-1, Delhi Mathura Road, Faridabad 121003, Haryana, India
P : 9210 903 903, +91 129 4272727, 93111 24302 E : info@prestogroup.com

• Faridabad • Sonipat • Kolkata • Mumbai • Pune • Ahmedabad
• Chennai • Bangalore • Hyderabad

www.prestogroup.com



Top Load Tester is designed to provide Compressive buckling load. The instrument is used for testing the load bearing capacity of the PET containers when subjected to an extreme load from the Top direction. It determines accurately the maximum load a PET container can bear without any deformation or failure.

Key Specifications:

Model available in various Load Range	100Kgf (50 Kgf on request)
Accuracy	± 2% full scale(with master load)
Least Count/Resolution	100 gm
Power	220V, Single phase, 50 Hz
Display	Digital & Graphical
Compression Plate	Dia of Compression Plate-180mm ± 5mm
Communication Port	RS 232
Test Speed *	24 ± 5 mm / min.
Grip to Grip Separation	Min. 25 mm & Max. 500 mm

* VFD drive optional for variable speed.

Highlights:

Safety	Upward and Downward Limit switches provided
Grips	Inverted straight Compression Plates– 1 set
Material	Mild Steel
Finish	Powder coated Havel Gray & Blue combination nish and bright chrome / zinc plating or corrosion resistant nish
Dimensions	680x610x1680 mm

Optional

- Top Load Tester Digital model also available.
- Top Load Tester Prima Series with Touch Screen model also available.

Thank you customers for choosing us as your partners in growth !



*All the above logos are the sole property of their respective owners and are used purely for depiction purposes only.

OUR OTHER PRODUCTS :-

					
Top Load Tester	Wall Thickness Gauge	Gloss Meter Triangle	Eccentricity Tester	Moisture Analyzer MB 45	Preform Neck Cutter

